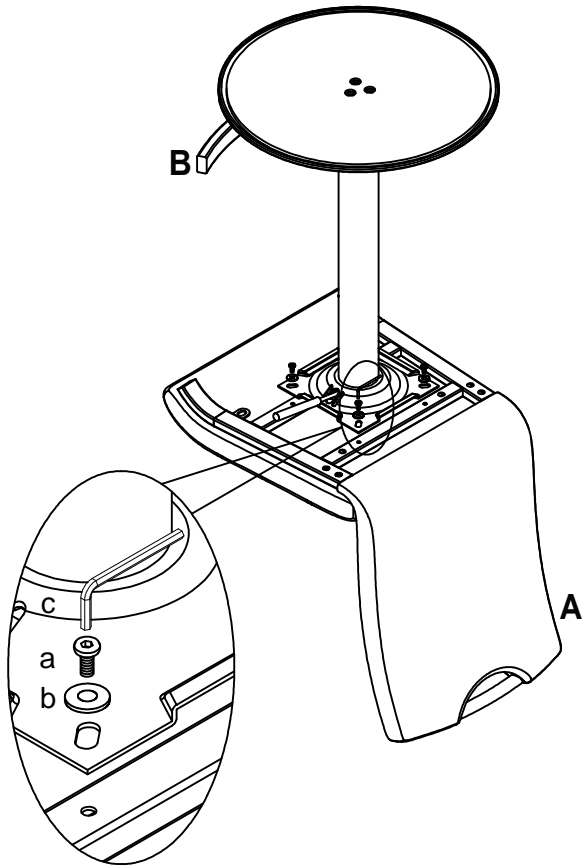




THANK YOU FOR PURCHASING THIS QUALITY PRODUCT.

BE SURE TO CHECK ALL PACKING MATERIAL CAREFULLY FOR SMALL PARTS THAT MAY HAVE COME LOOSE INSIDE THE CARTON DURING TRANSIT.

STEP 1



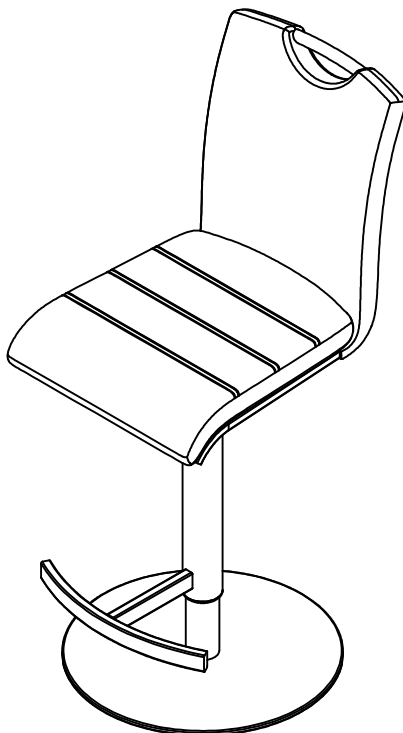
PART LIST

NO	DESC	SIZE (MM)	SKETCH	QTY
A	UPHOLSTERY	530 X430 X430		1 PC
B	BASE	450 X450 X740		1 PC

HARDWARE LIST

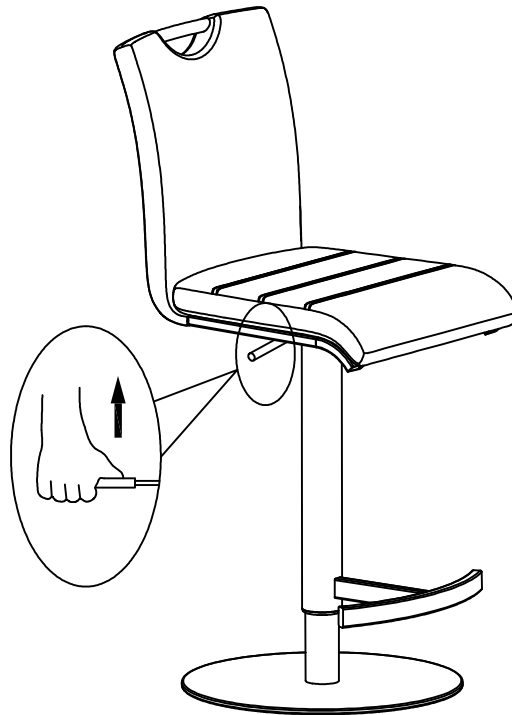
NO	DESC	SIZE (MM)	SKETCH	QTY
a	SCREW	M6X16		4PCS
b	SPRING WASHER	φ16×φ6.1 ×1.6		4PCS
c	WRENCH	M4		1 PC

STEP 2





**STEP 3**



**FINISHED**

